



ENCLOSURES DESIGNED FOR THE WORLD'S WATER SYSTEMS™

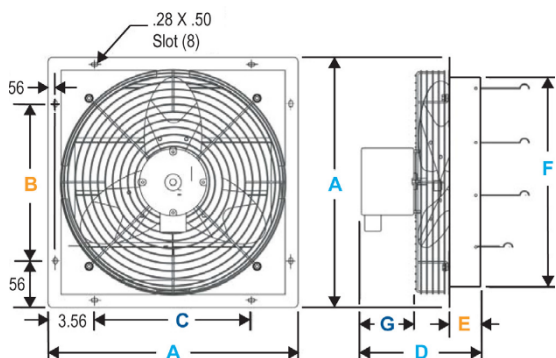
Specification Submittal Sheet

Shutter Mount Exhaust Fan

Insulated Enclosure Accessory

Description

Featuring totally enclosed direct drive motors, these exhaust fans are designed to remove stale air from rooms, barns, garages and enclosed work areas. They mount from the inside of the wall.



Model	A	B	C	D	E	F	G
EPRSM12	15.13	8	8	8.06	2.38	12	3.00

Features

- Models are CUL/ UL Listed
- Rear Guard Meets OSHA Standards
- Totally Enclosed Motor
- Hard Wired unless otherwise indicated

Specifications

EDP No.	Prop Dia.	Panel Size (Square)	Wall Opening (Square)	0" S.P. CFM	1/8" S.P. CFM	Motor HP	Volt	F.L. Amp	Max. Sonos @ 5'	Ship Wt.
23002	12"	15 1/8"	13"	815	490	1/24	115	1.4	7.6	12

Hydrocowl, Inc.

Nashville, TN • Phone 1-800-245-6333
 FAX (615) 259-4481 • www.safe-t-cover.com